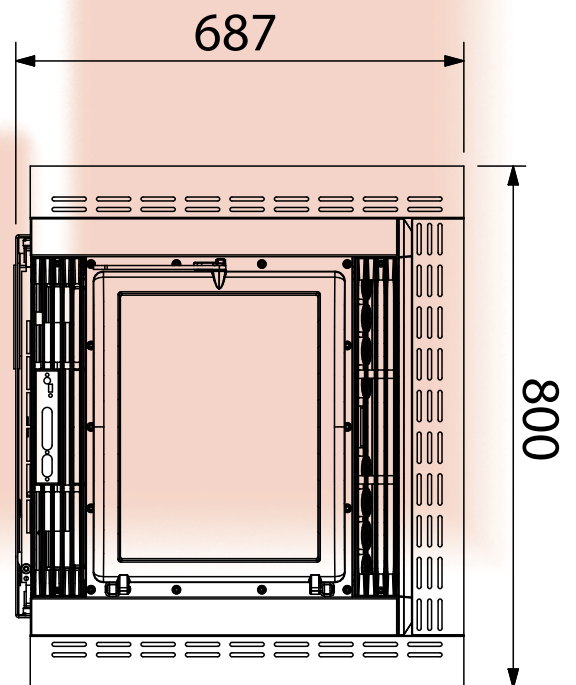
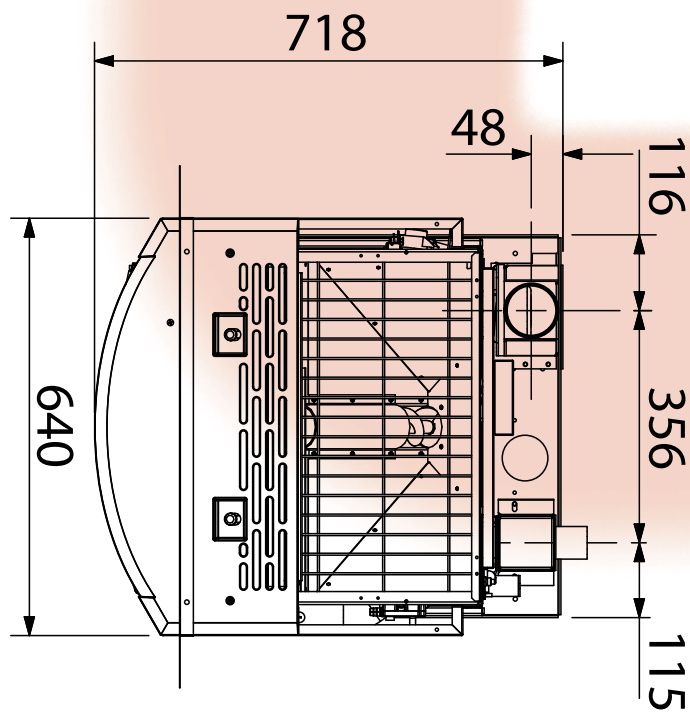
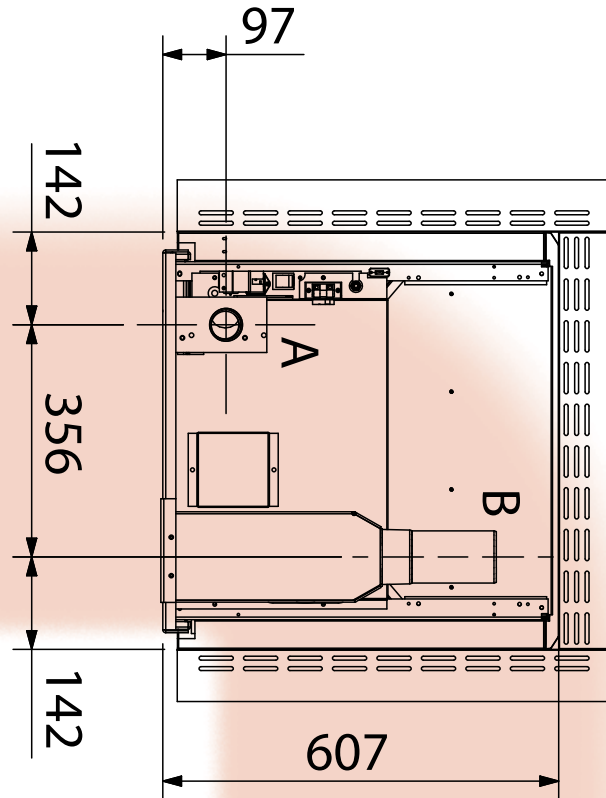


# COMFORT MAXI

A = AIR INTAKE PIPE Ø 50 mm  
 B = FLUE GAS EXHAUST PIPE Ø 80 mm



**EXTRAFLAME S.p.A.**

Via dell'Artigianato, 10 I-36030 Montecchio Precalcino (VI) ITALY Tel. 0445/865911 - Fax 0445/865912 C. Fisc. e Part. IVA 00546030248  
 sales site: <http://www.lanordica-extraflame.com> - after-sales assistance portal: <http://www.extraflame.it/support> - E-mail: [info@extraflame.com](mailto:info@extraflame.com)