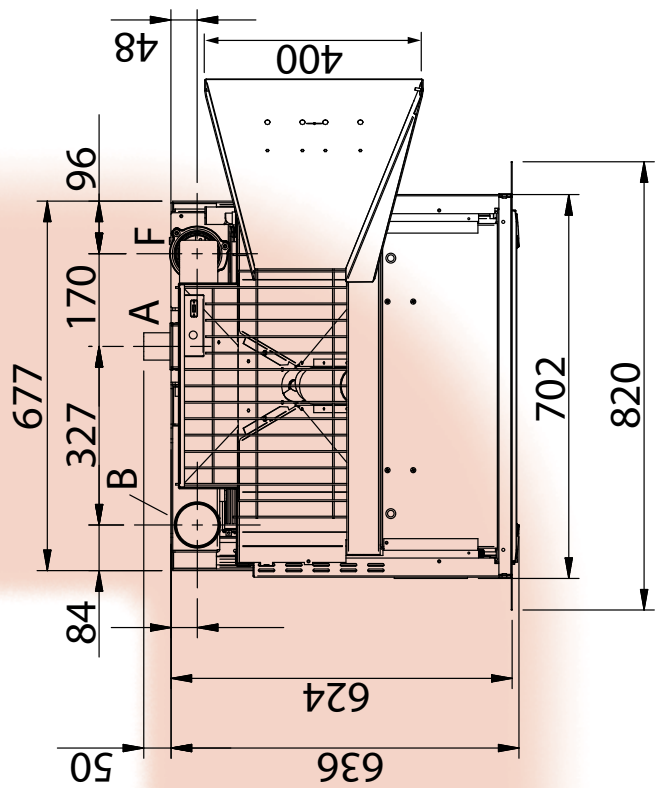
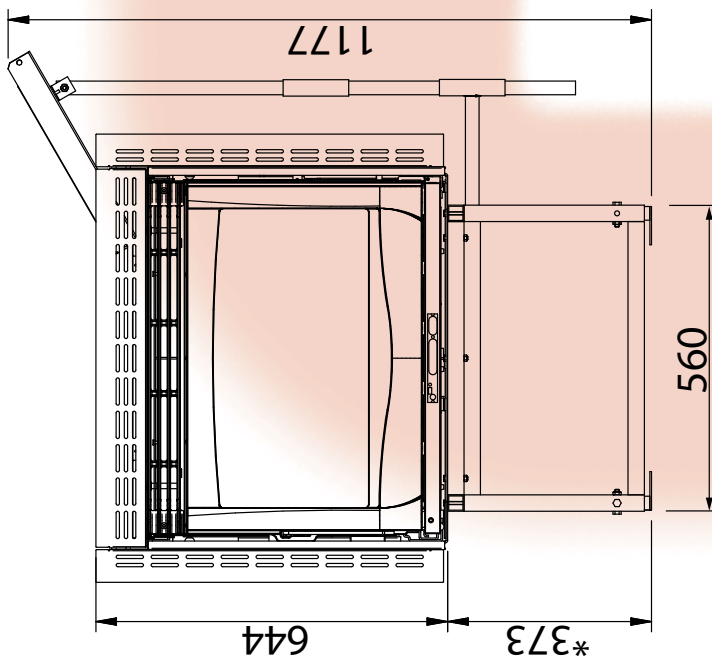
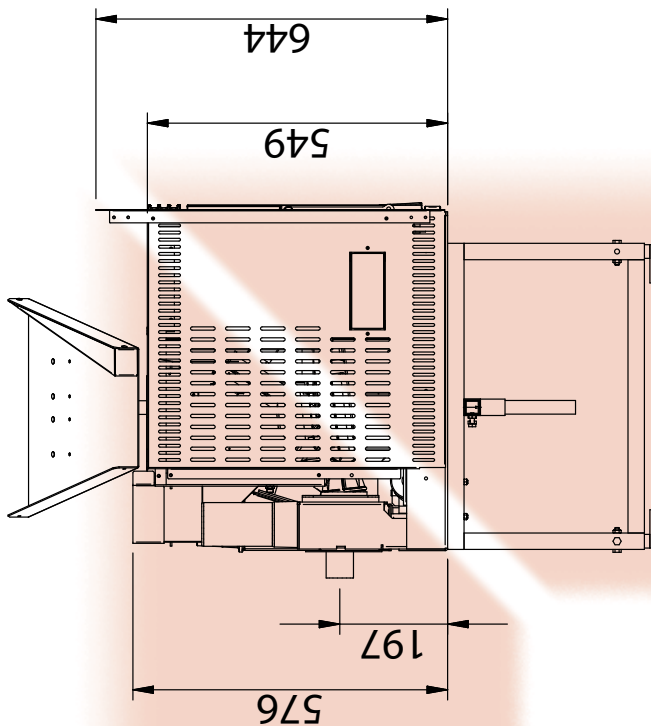


# COMFORT PLUS



**A = AIR INTAKE PIPE Ø 50 mm**  
**B = FLUE GAS EXHAUST PIPE Ø 80 mm**  
**\* = THE "ADJUSTMENT PIPE" DETAIL IS PERFORATED WITH 3 HOLES Ø 8.5 MM WITH PITCH OF: 90 - 100: FOR DIFFERENT ADJUSTMENTS DRILL ACCORDING TO NECESSITY**  
**F = DISTRIBUTED HEATING Ø 80 mm**

**EXTRAFLAME S.p.A.**

Via dell'Artigianato, 10 I-36030 Montecchio Precalcino (VI) ITALY Tel. 0445/865911 - Fax 0445/865912 C. Fisc. e Part. IVA 00546030248  
 sales site: <http://www.lanordica-extraflame.com> - sales assistance portal: <http://www.extraflame.it/support> - E-mail: [info@extraflame.com](mailto:info@extraflame.com)