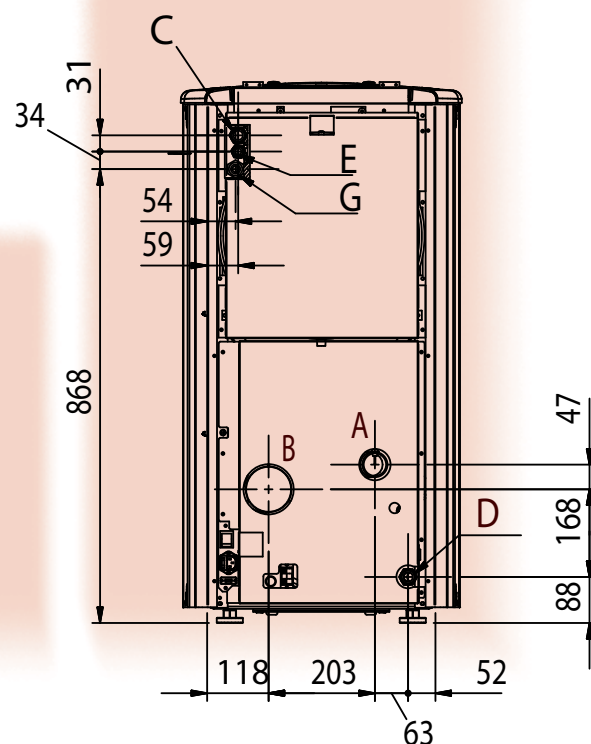
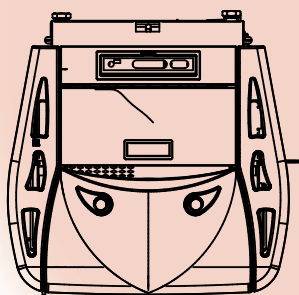
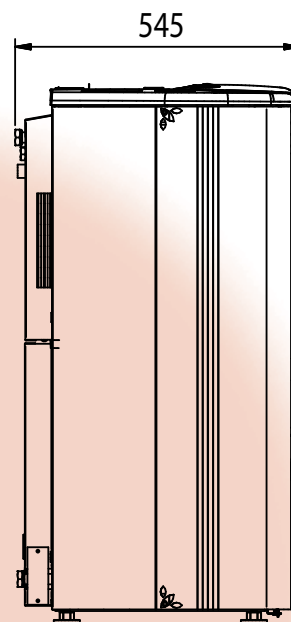
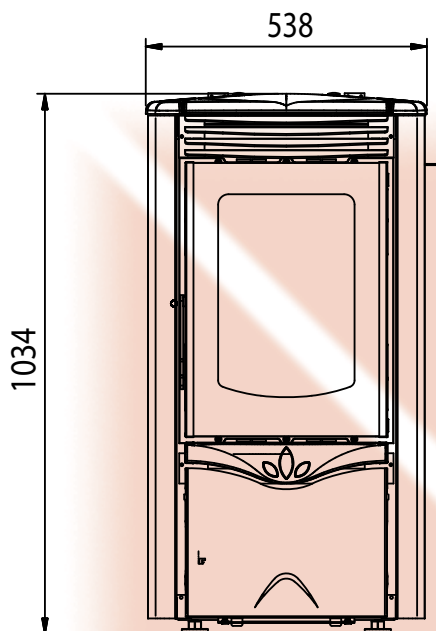


DUCHESSA IDRO STEEL



- A = AIR INTAKE PIPE Ø 50 mm**
- B = FLUE GAS EXHAUST PIPE Ø 80 mm**
- C = BOILER 3/4" FLOW/OUTLET**
- D = BOILER 3/4" RETURN/INLET**
- E = 3 BAR 1/2" SAFETY DRAIN**
- G = DRAINAGE 3/4"**

EXTRAFLAME S.p.A.

Via dell'Artigianato, 10 I-36030 Montebelluna (VI) ITALY Tel. 0445/865911 - Fax 0445/865912 C. Fisc. e Part. IVA 00546030248
 sales site: <http://www.lanordica-extraflame.com> - after-sales assistance portal: <http://www.extraflame.it/support> - E-mail: info@extraflame.com