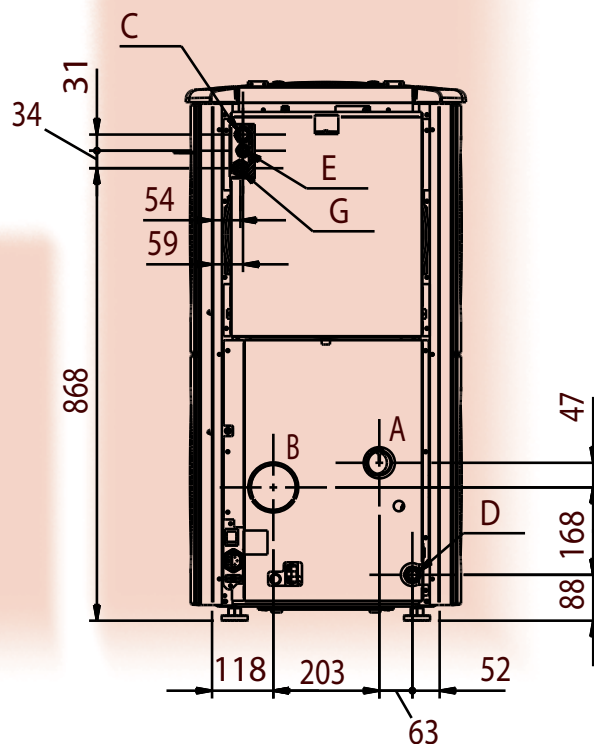
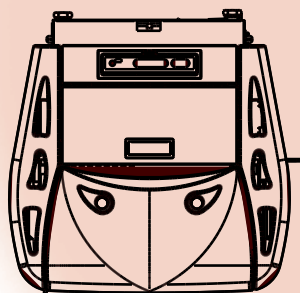
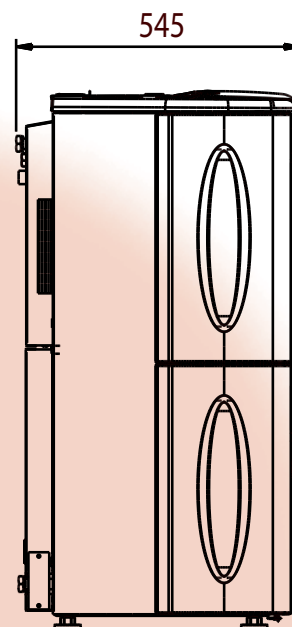
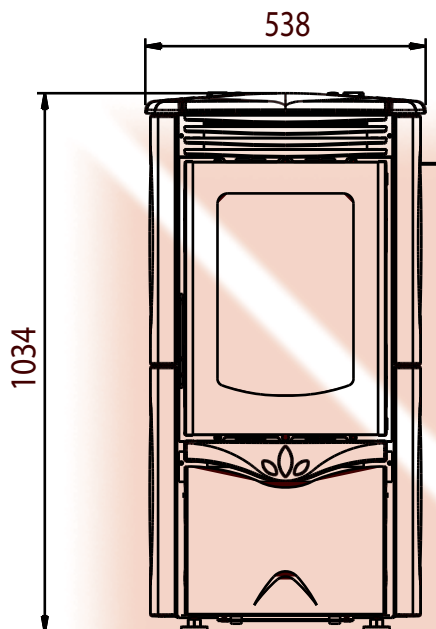


DUCHESSA IDRO



- A = AIR INTAKE PIPE Ø 50 mm**
- B = FLUE GAS EXHAUST PIPE Ø 80 mm**
- C = BOILER 3/4" FLOW/OUTLET**
- D = BOILER 3/4" RETURN/INLET**
- E = 3 BAR 1/2" SAFETY DRAIN**
- G = DRAINAGE 3/4"**

EXTRAFLAME S.p.A.